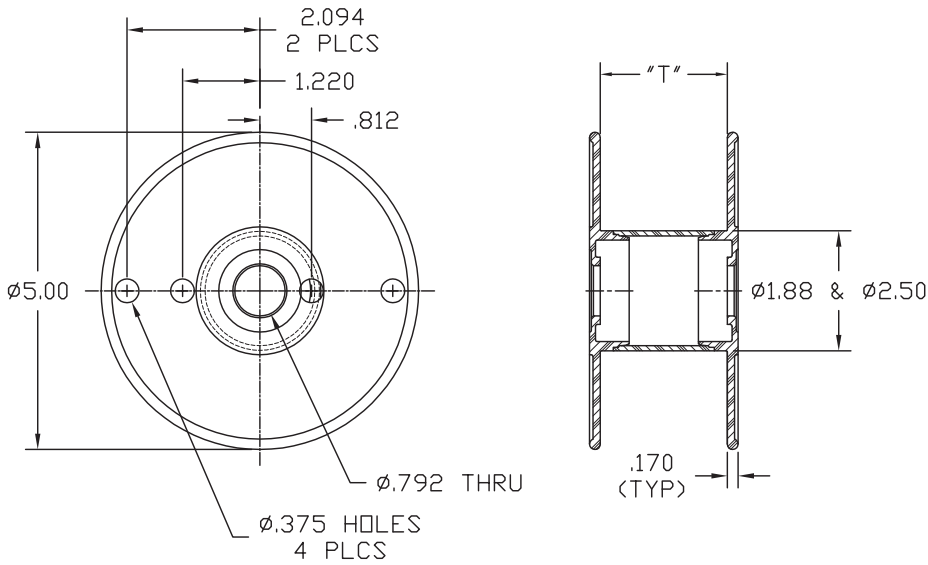
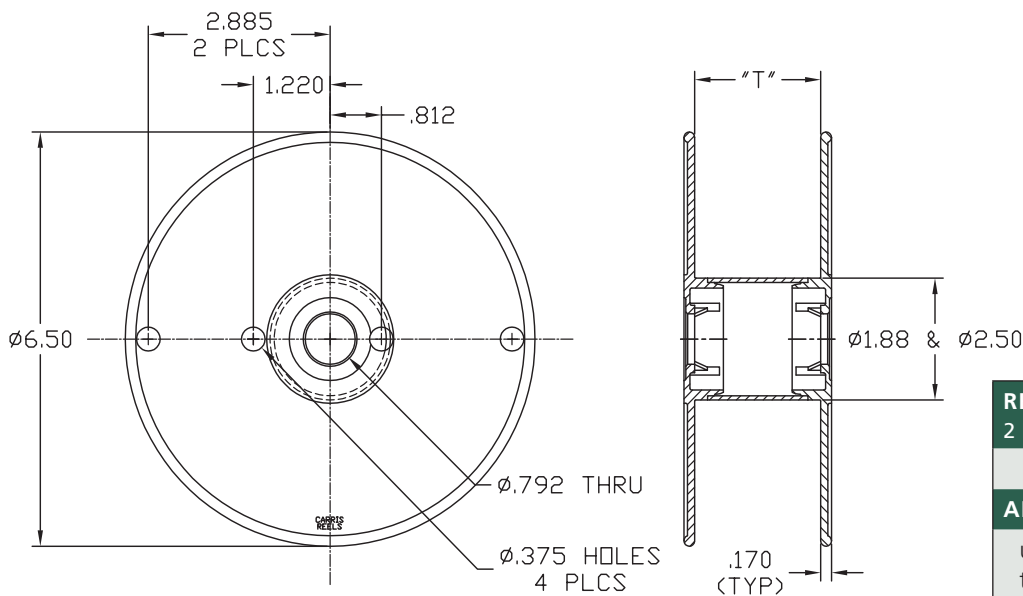


## STANDARD 5" UTILITY



<b>REEL WEIGHT (LBS.)</b>
2 Flanges + (Weight of Barrel x Traverse)
$.2 + (.015 \times T)$
<b>APPROX. CAPACITY (LBS.)</b>
up to 10 lbs. depending on traverse length
<b># PER PALLET/BOX/GAYLORD</b>
varies according to traverse length

## STANDARD 6½" UTILITY



<b>REEL WEIGHT (LBS.)</b>
2 Flanges + (Weight of Barrel x Traverse)
$.36 + (.015 \times T)$
<b>APPROX. CAPACITY (LBS.)</b>
up to 20 lbs. depending on traverse length
<b># PER PALLET/BOX/GAYLORD</b>
varies according to traverse length