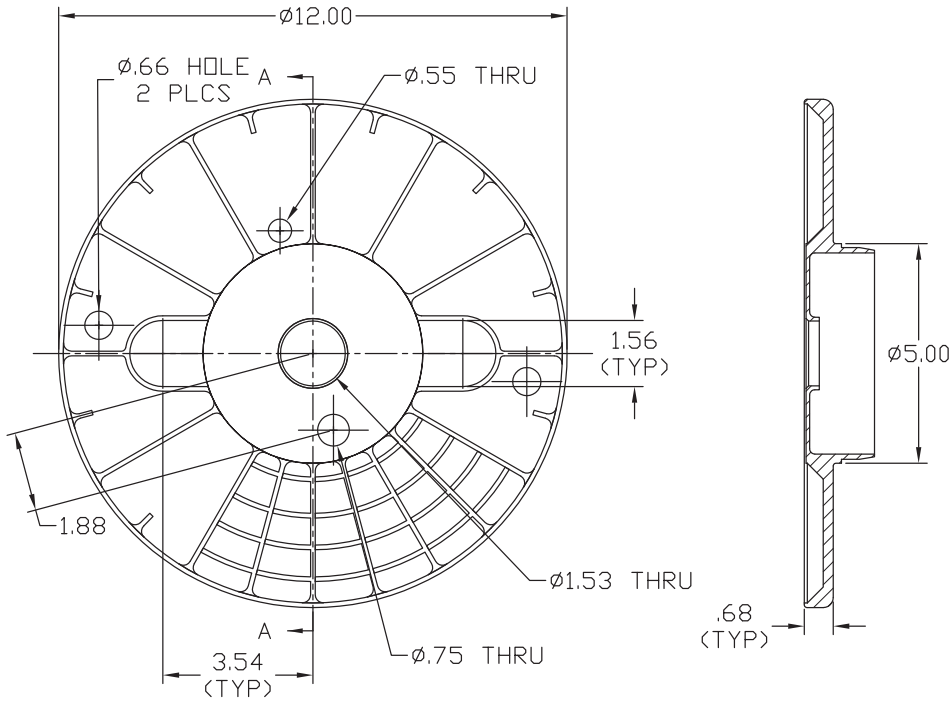
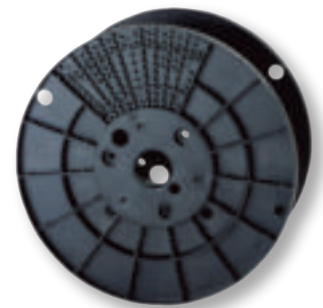
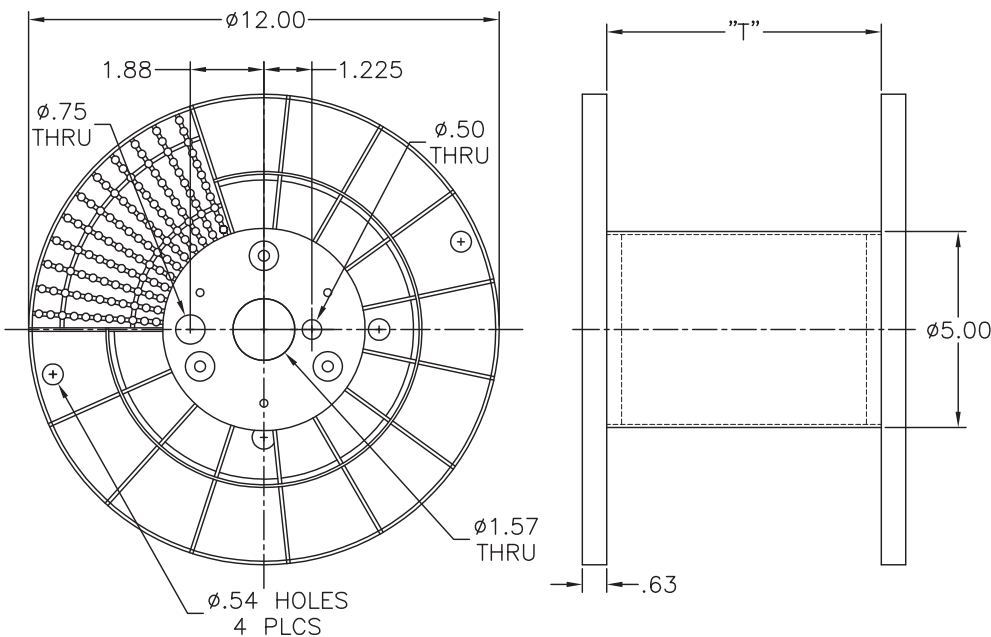


STANDARD 12" UTILITY



REEL WEIGHT (LBS.)
2 Flanges + (Weight of Barrel x Traverse)
$1.4 + (.050 \times T)$
APPROX. CAPACITY (LBS.)
up to 50 lbs. depending on traverse length
PER PALLET/BOX/GAYLORD
varies according to traverse length

STANDARD 12" RIBBED



REEL WEIGHT (LBS.)
2 Flanges + (Weight of Barrel x Traverse)
$1.8 + (.050 \times T)$
APPROX. CAPACITY (LBS.)
up to 60 lbs. depending on traverse length
PER PALLET/BOX/GAYLORD
varies according to traverse length