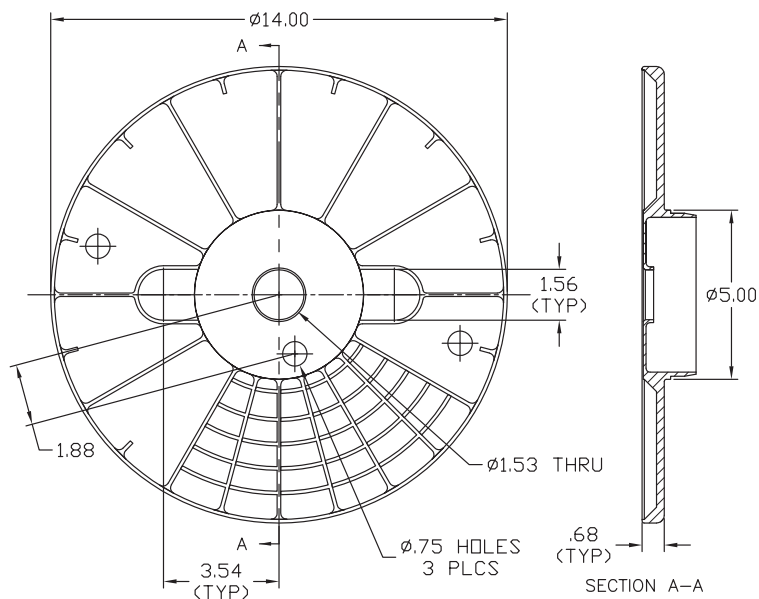
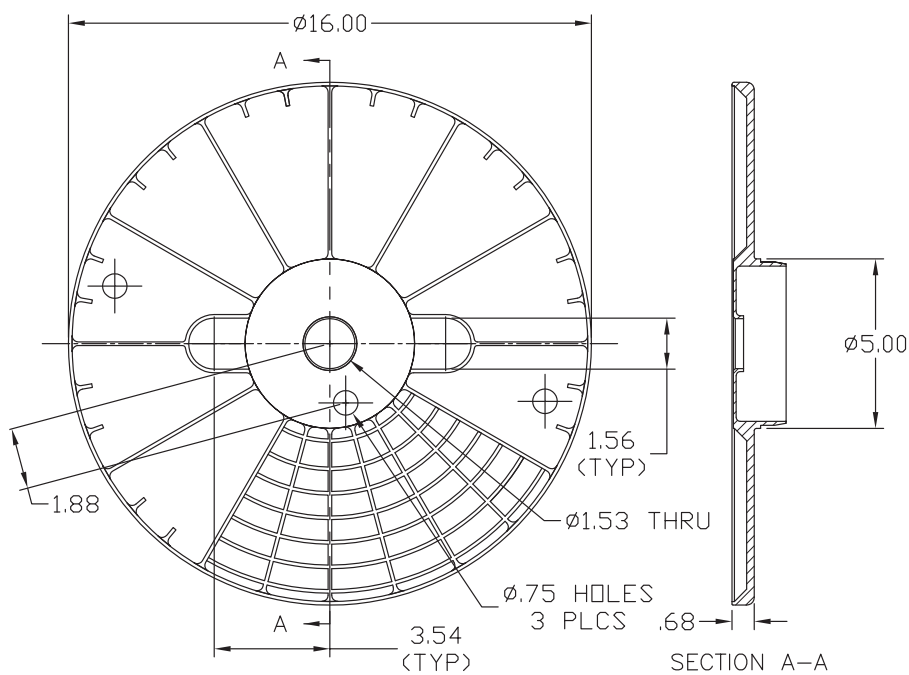


## STANDARD 14" UTILITY



<b>REEL WEIGHT (LBS.)</b>
2 Flanges + (Weight of Barrel x Traverse)
$2 + (.050 \times T)$
<b>APPROX. CAPACITY (LBS.)</b>
up to 60 lbs. depending on traverse length
<b># PER PALLET/BOX/GAYLORD</b>
varies according to traverse length

## STANDARD 16" UTILITY



<b>REEL WEIGHT (LBS.)</b>
2 Flanges + (Weight of Barrel x Traverse)
$2.5 + (.050 \times T)$
<b>APPROX. CAPACITY (LBS.)</b>
up to 70 lbs. depending on traverse length
<b># PER PALLET/BOX/GAYLORD</b>
varies according to traverse length