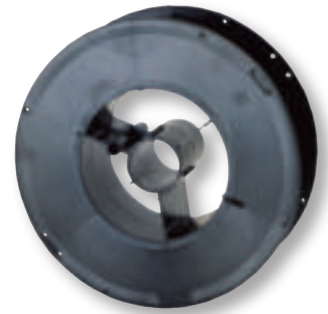
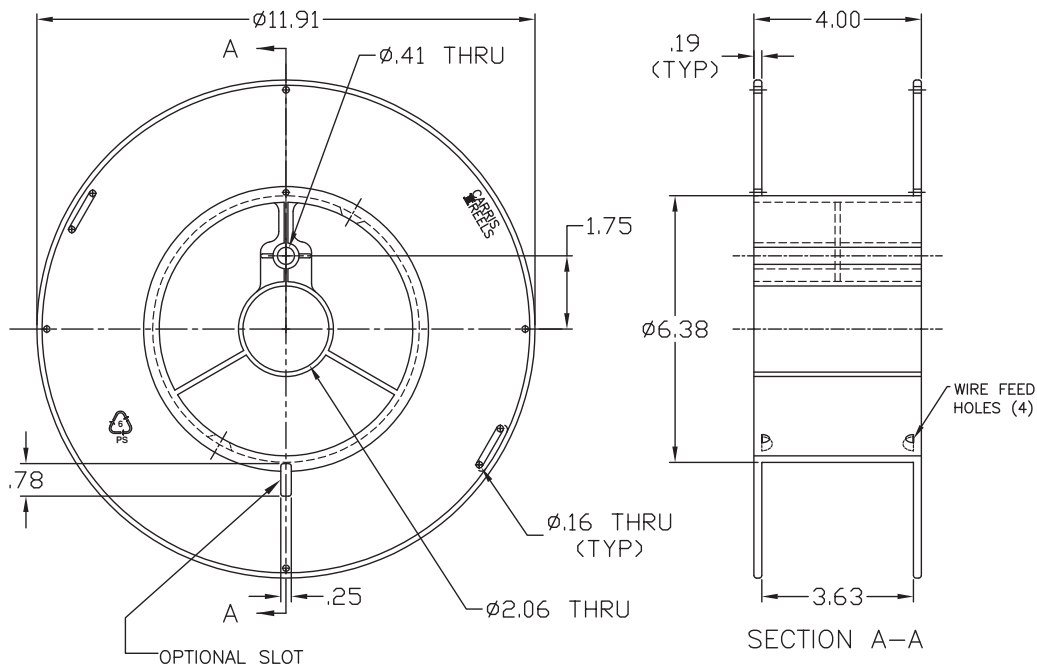


## WELDING WIRE 11<sup>3</sup>/<sub>4</sub> x 3<sup>5</sup>/<sub>8</sub> x 6<sup>3</sup>/<sub>8</sub>



<b>REEL WEIGHT (LBS.)</b>	1.73
<b>APPROX. CAPACITY (LBS.)</b>	up to 45
<b># PER PALLET</b>	220/pallet

## MAGNET WIRE 8<sup>1</sup>/<sub>2</sub> x 9<sup>1</sup>/<sub>4</sub> x 9

REEL WEIGHT (LBS.)	APPROX. CAPACITY (LBS.)	# PER PALLET
1.9	45	200/pallet

